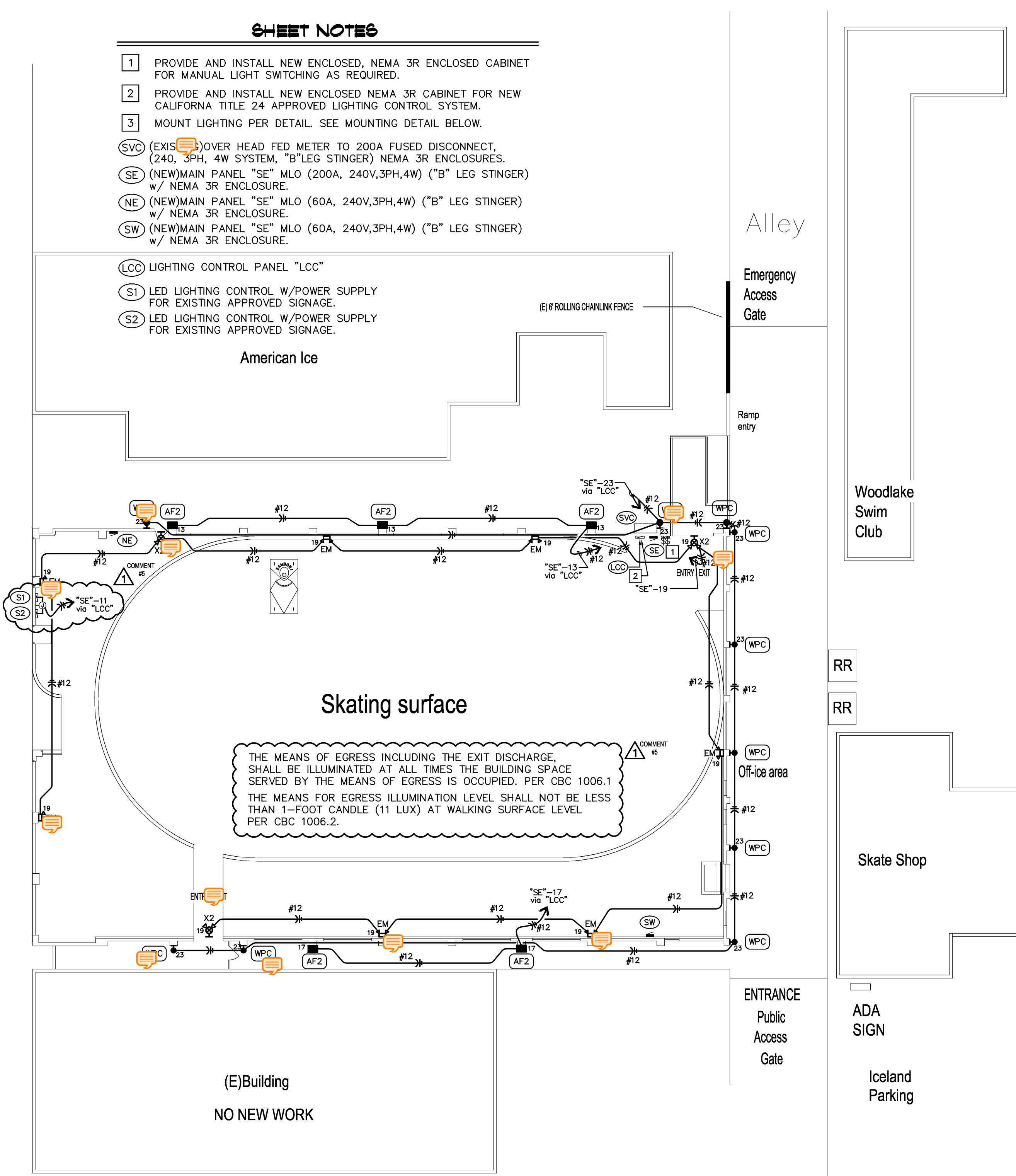


SHEET NOTES

- 1 PROVIDE AND INSTALL NEW ENCLOSED, NEMA 3R ENCLOSED CABINET FOR MANUAL LIGHT SWITCHING AS REQUIRED.
 - 2 PROVIDE AND INSTALL NEW ENCLOSED NEMA 3R CABINET FOR NEW CALIFORNIA TITLE 24 APPROVED LIGHTING CONTROL SYSTEM.
 - 3 MOUNT LIGHTING PER DETAIL. SEE MOUNTING DETAIL BELOW.
- (SVC) (EXIST) OVER HEAD FED METER TO 200A FUSED DISCONNECT, (240, 3PH, 4W SYSTEM, "B" LEG STINGER) NEMA 3R ENCLOSURES.
 (SE) (NEW) MAIN PANEL "SE" MLO (200A, 240V, 3PH, 4W) ("B" LEG STINGER) w/ NEMA 3R ENCLOSURE.
 (NE) (NEW) MAIN PANEL "SE" MLO (60A, 240V, 3PH, 4W) ("B" LEG STINGER) w/ NEMA 3R ENCLOSURE.
 (SW) (NEW) MAIN PANEL "SE" MLO (60A, 240V, 3PH, 4W) ("B" LEG STINGER) w/ NEMA 3R ENCLOSURE.
- (LCC) LIGHTING CONTROL PANEL "LCC"
 (S1) LED LIGHTING CONTROL W/POWER SUPPLY FOR EXISTING APPROVED SIGNAGE.
 (S2) LED LIGHTING CONTROL W/POWER SUPPLY FOR EXISTING APPROVED SIGNAGE.



ELECTRICAL FLOOR PLAN- LIGHTING

(E) BUILDING, 1430 DEL PASO ROAD, SACRAMENTO, CA.
 SCALE: 1/8" = 1'-0"

NOTES TO CONTRACTOR

1. COORDINATE ALL WORK WITH ARCHITECTURAL NOTES & PLANS PRIOR TO ANY ELECTRICAL WORK.

EXTERIOR FIXTURE SCHEDULE

| ICELAND SKATING RINK (RENOVATION) | | | | | |
|-----------------------------------|------|--|---------------------------------------|-------------------------|--|
| QTY | TYPE | DESCRIPTION/MANUFACTURE | SPECIFIED FOR: | LOCATION | NOTE: |
| 5 | AF2 | 250 WATT PSMH FLOODLIGHT POLE MOUNTED w/ADJUSTABLE FITTER ENCLOSED | Magnetic 1/1 1-250W PSMH 120V 271 | Pole mounted 21'-0" | E-concealment OR EQUAL FLOOD LIGHT SERIES |
| 10 | WPC | 42 WAT CFL WALL PACK SURFACE EXTERIOR WALL ENCLOSED | Electronic 1/1 1-42W CFL W/UL LIST 56 | SURFACE W/ WALL 12'-0" | E-concealment OR EQUAL WALL PACK SERIES |
| 6 | EM | EMERGENCY LIGHT SURFACE | NONE INCL W/FIXTURE 120/277V 33 | SURFACE WALL 86" A.F.F. | E-concealment OR EQUAL EXIT & EMERGENCY SERIES |
| 5 | X2 | EXIT SIGN & LIGHT COMBO w/BACK-UP BATT. SURFACE WALL SINGLE FACE-GREEN | NONE LED INCL W/FIXTURE 120/277V 33 | WH @ WALL OVER DOOR | E-concealment OR EQUAL EXIT & EMERGENCY SERIES |

OCCUPANCY DEVICE SCHEDULE

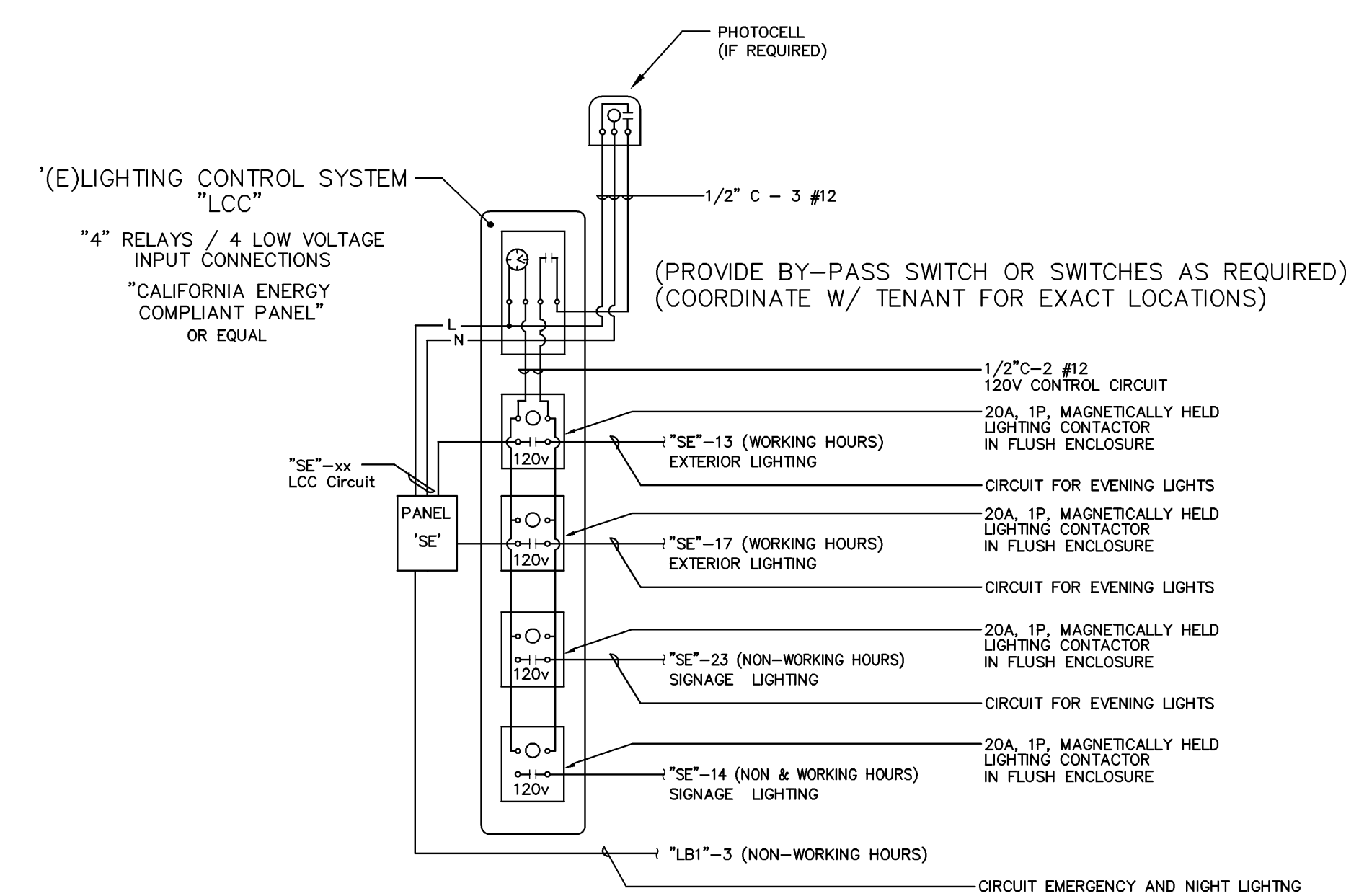
| ICELAND SKATING RINK (RENOVATION) | | | | | |
|-----------------------------------|------|------------------------------|--------------------|--|-----------|
| QTY | TYPE | DESCRIPTION/MANUFACTURE | SPECIFIED FOR: | LOCATION | NOTE: |
| 1 | LCC | LIGHTING CONTROL PANEL "LCC" | GREENGATE OR EQUAL | SPEC GRADE LIGHTING CONTROL NEAR MAIN PANEL "SE" | (4) RELAY |

NOTES TO PLAN CHECKER

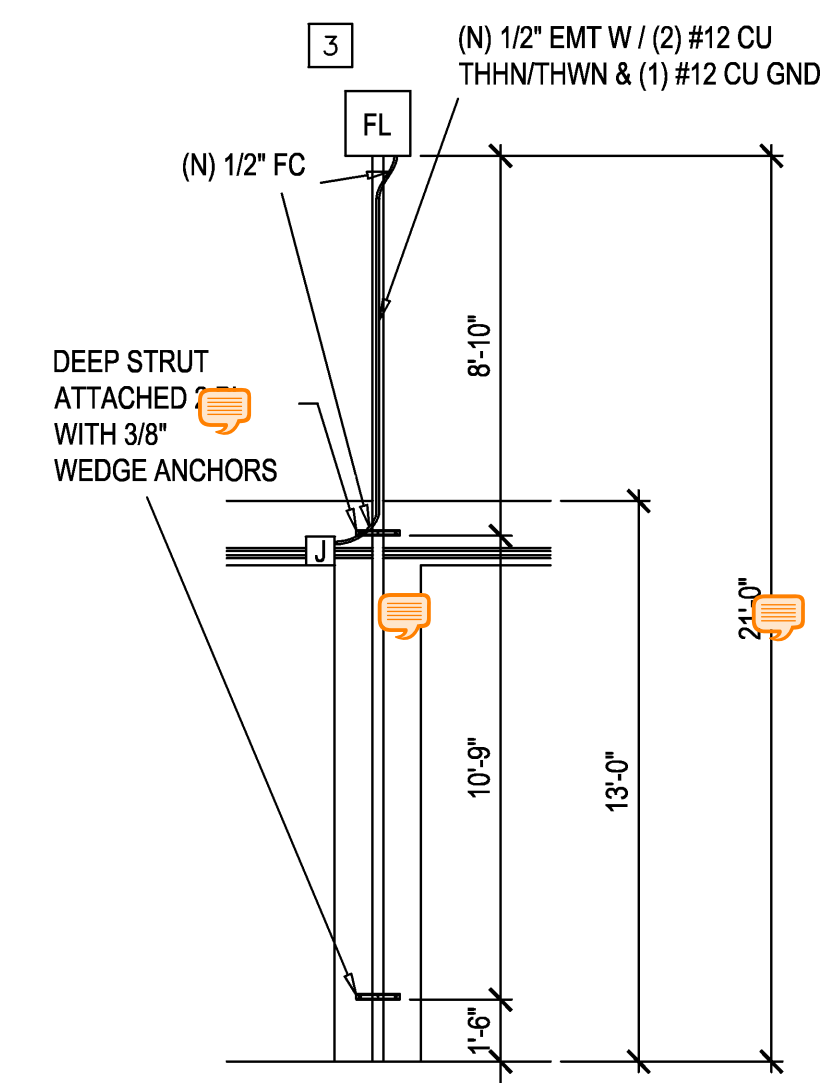
SCOPE

1. THIS IS A SINGLE STORY, (REMODEL) FIRE RESTORATION OF SKATING RINK. NO ROOF ON BUILDING, WALLS ONLY. ALL FIXTURES TO BE WET TYPE. DESIGN WILL COVER SKATING SURFACE AND OFF-ICE AREA'S. EXTERIOR LIGHTING "ONLY" LIGHTING FOR THIS FACILITY FALLS UNDER LIGHTING FOR SPORTS; THEREFORE IS NOT IN REGULATION OF TITLE 24, PER CEC S147 ALTHOUGH, IS NOT EXEMPT FROM TITLE 24 ARE OFF-ICE AREA AND EXTERIOR EXITS FROM BUILDING. SEE TITLE 24 SHEET E3.1.
2. SEE SWITCHING REQUIREMENTS ABOVE.
3. INSTALLATION AND TESTING OF NEW EMERGENCY & EXIT LIGHTS AS SHOWN IN THE LIGHTING PLAN ABOVE.
4. CURRENT LIGHTING CONTROLS AND DAY & NIGHT LIGHTING ARE TO REMAIN IN PLACE AND BE TESTED AS REQUIRED.
5. SEE TITLE 24 CALCULATIONS, SHEET E3.1.

ELECTRICAL CONTRACTOR TO PROVIDE AND INSTALL ALL ELECTRICAL EQUIPMENT TO THE 2010 CALIFORNIA ELECTRICAL CODE AND THE 2008 CALIFORNIA ENERGY CODE PER TITLE 24 STANDARDS.



LIGHTING CONTROL DIAGRAM "LCC"
 NTS



FLOODLIGHT MOUNTING DETAIL